

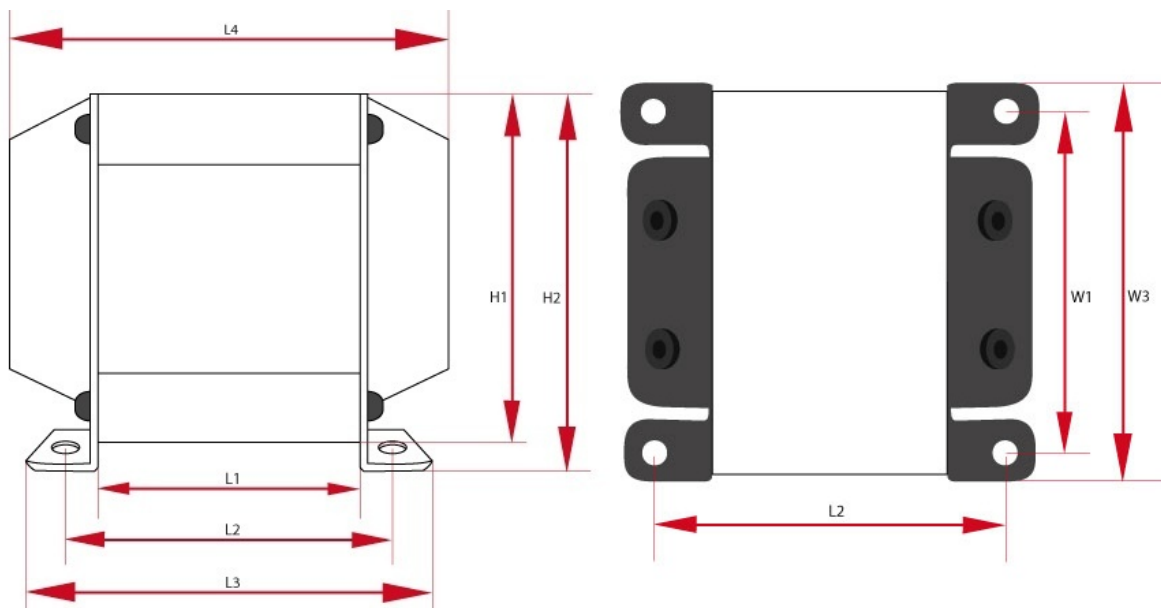
LO PP60-1

The transformer is made on the annealed cores, thickness of laminations 0.3 mm. Fits to the transformer, cover OT-12 (dimensions 12x12x12cm - accessories section).

Caption

weight	approximate weight	price	price
P_{max}	maximum power	Z_{aa}	anode-anode impedance
UL	peel off the ultra-linear	R_o	load resistance
L_{aa}	inductance of the anode-anode, $f=120\text{Hz}$	core	core type
R_{aa}	resistance of the anode-anode	f_{max}	maximum frequency
sizes	overall dimensions	I_{max}	maximum current
$k_{n:n}$	transmission	f_{min}	minimum frequency

Specyfikacje



Push Pull - LO PP60-1 - wersja z dwoma deklami (PL)							
P_{max}	Z_a	I_{max}	R_{aa}	UL	$k_{n:n}$	R_o	L_a
60 W	6600 Ω	200 mA	155 Ω	43 %	40.6 : 1, 28.7 : 1	4 and 8 Ω	47 H
f_{min}	f_{max}	Core	Size W	Size H	Size L	Weight	Count
10Hz @ -3dB 20Hz @ +/-1dB	60kHz @ -3dB 20kHz @ +/-1dB	EI96/59	W1 - 110 mm W2 - 110 mm W3 - 110 mm	H1 - 110 mm H2 - 110 mm	L1 - 110 mm L2 - 110 mm L3 - 110 mm L4 - 110 mm	3.5 kG	1
Price							
1-5 units		5+ units		10+ units		25+ units	
169.0 USD		161.0 USD		152.0 USD		144.0 USD	



Push Pull - LO PP60-1 - wersja z dwoma deklami (DE)

P_{max}	Z_a	I_{max}	R_{aa}	UL	$k_{n:n}$	R_o	L_a
60 W	6600 Ω	200 mA	155 Ω	43 %	40.6 : 1, 28.7 : 1	4 and 8 Ω	47 H
f_{min}	f_{max}	Core	Size W	Size H	Size L	Weight	Count
10Hz @ -3dB 20Hz @ +/-1dB	60kHz @ -3dB 20kHz @ +/-1dB	E196/59	W1 - 110 mm W2 - 110 mm W3 - 110 mm	H1 - 110 mm H2 - 110 mm	L1 - 110 mm L2 - 110 mm L3 - 110 mm L4 - 110 mm	3.5 kg	1
Price							
1-5 units		5+ units		10+ units		25+ units	
169.0 USD		161.0 USD		152.0 USD		144.0 USD	