

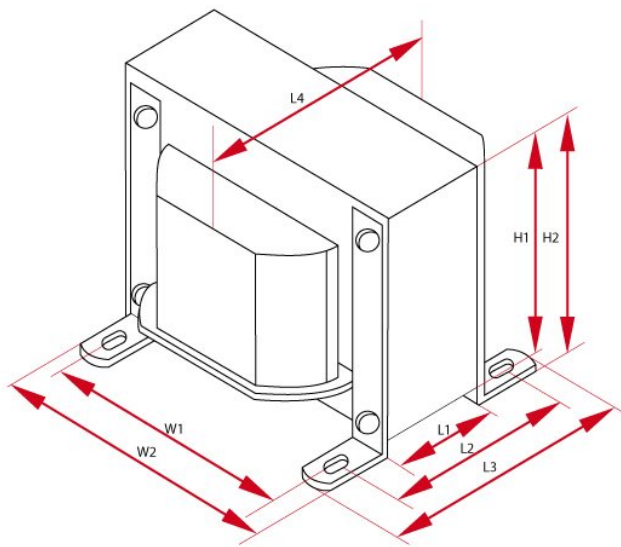
LO PP60-1

The transformer is made on the annealed cores, thickness of laminations 0.3 mm .

Caption

price	price	P_{max}	maximum power
weight	approximate weight	I_{max}	maximum current
L_{aa}	inductance of the anode-anode, f=120Hz	R_o	load resistance
Z_{aa}	anode-anode impedance	f_{max}	maximum frequency
$k_{n:n}$	transmission	core	core type
UL	peel off the ultra-linear	R_{aa}	resistance of the anode-anode
f_{min}	minimum frequency	sizes	overall dimensions

Specyfikacje



Push Pull - LO PP60-1							
P_{max}	Z_a	I_{max}	R_{aa}	UL	$k_{n:n}$	R_o	L_a
60 W	6600 Ω	200 mA	155 Ω	43 %	40.6 : 1, 28.7 : 1	4 and 8 Ω	47 H
f_{min}	f_{max}	Core	Size W	Size H	Size L	Weight	Count
10Hz @ -3dB 20Hz @ +/-1dB	60kHz @ -3dB 20kHz @ +/-1dB	EI96/59	W1 - 80 mm W2 - 96 mm W3 - -- mm	H1 - 80 mm H2 - 84 mm	L1 - 59 mm L2 - 90 mm L3 - 106 mm L4 - 94 mm	3.5 kG	1
Price							
1-5 units		5+ units		10+ units		25+ units	
149.0 USD		142.0 USD		134.0 USD		127.0 USD	