

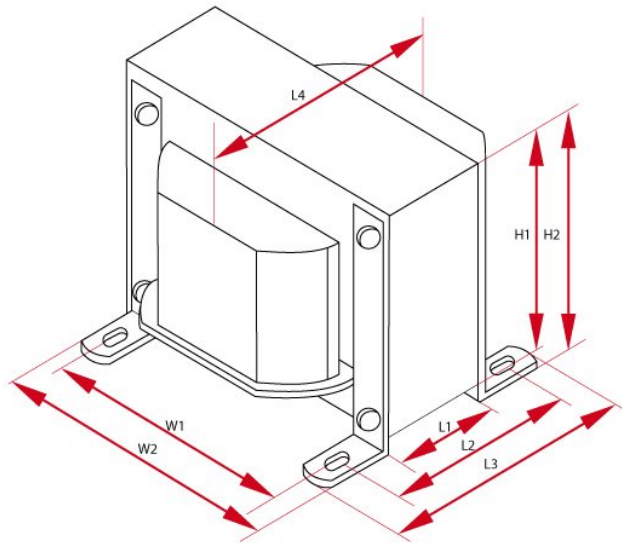
LO PP80-1

The transformer is made on the annealed cores, thickness of laminations 0.3 mm. Fits to the transformer, cover OT-12 (dimensions 12x12x12cm - accessories section).

Caption

weight	approximate weight	$k_{n,n}$	transmission
f_{min}	minimum frequency	sizes	overall dimensions
UL	peel off the ultra-linear	core	core type
L_{aa}	inductance of the anode-anode, $f=120\text{Hz}$	R_{aa}	resistance of the anode-anode
Z_{aa}	anode-anode impedance	f_{max}	maximum frequency
price	price	R_o	load resistance
I_{max}	maximum current	P_{max}	maximum power

Specyfikacje



Push Pull - LO PP80-1							
P_{max}	Z_a	I_{max}	R_{aa}	UL	$k_{n,n}$	R_o	L_a
80 W	4000 Ω	250 mA	120 Ω	43 %	31.6 : 1, 22.3 : 1	4 and 8 Ω	35 H
f_{min}	f_{max}	Core	Size W	Size H	Size L	Weight	Count
10Hz @ -3dB	60kHz @ -3dB	EI96/59	W1 - 80 mm W2 - 96 mm W3 - 110 mm	H1 - 80 mm H2 - 84 mm	L1 - 59 mm L2 - 90 mm L3 - 106 mm L4 - 94 mm	3.5 kG	1
Price							
1-5 units		5+ units		10+ units		25+ units	
169.0 USD		161.0 USD		152.0 USD		144.0 USD	